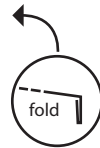




Introducing the EarthCruiser, a unique 4x4 camper that not only provides safe and reliable travel on and off the beaten track but also long term luxurious accommodation when you arrive.

The EarthCruiser is the ultimate all terrain expedition vehicle for extended and comfortable travel to places that most people only read about in adventure magazines.

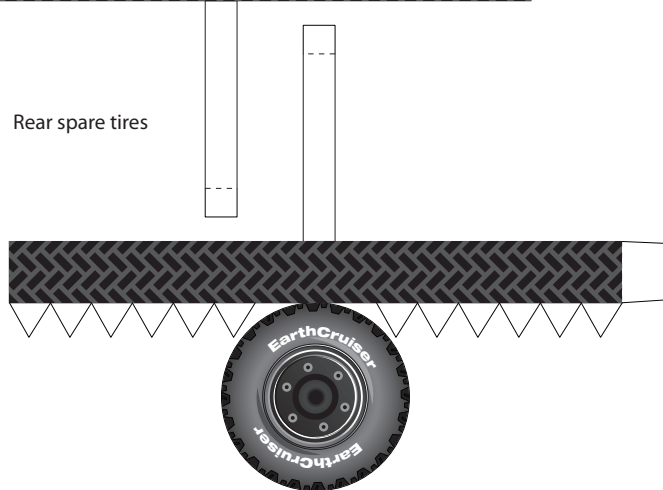
For more information, please visit earthcruiser.com.au



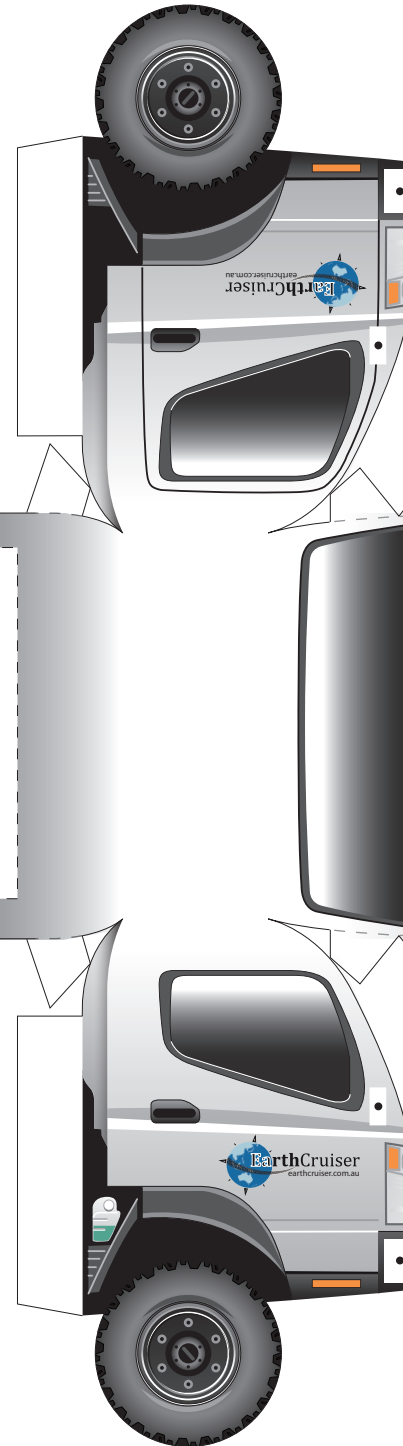
Optional
Awning



Rear spare tires



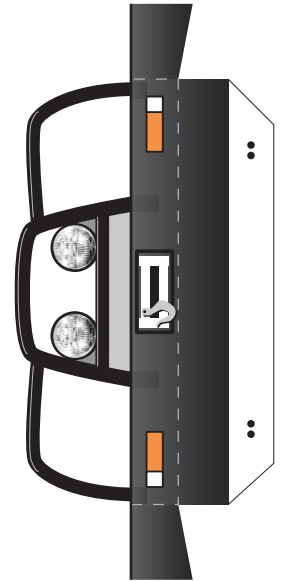
Glue to rear section



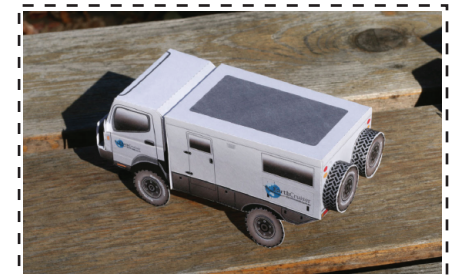
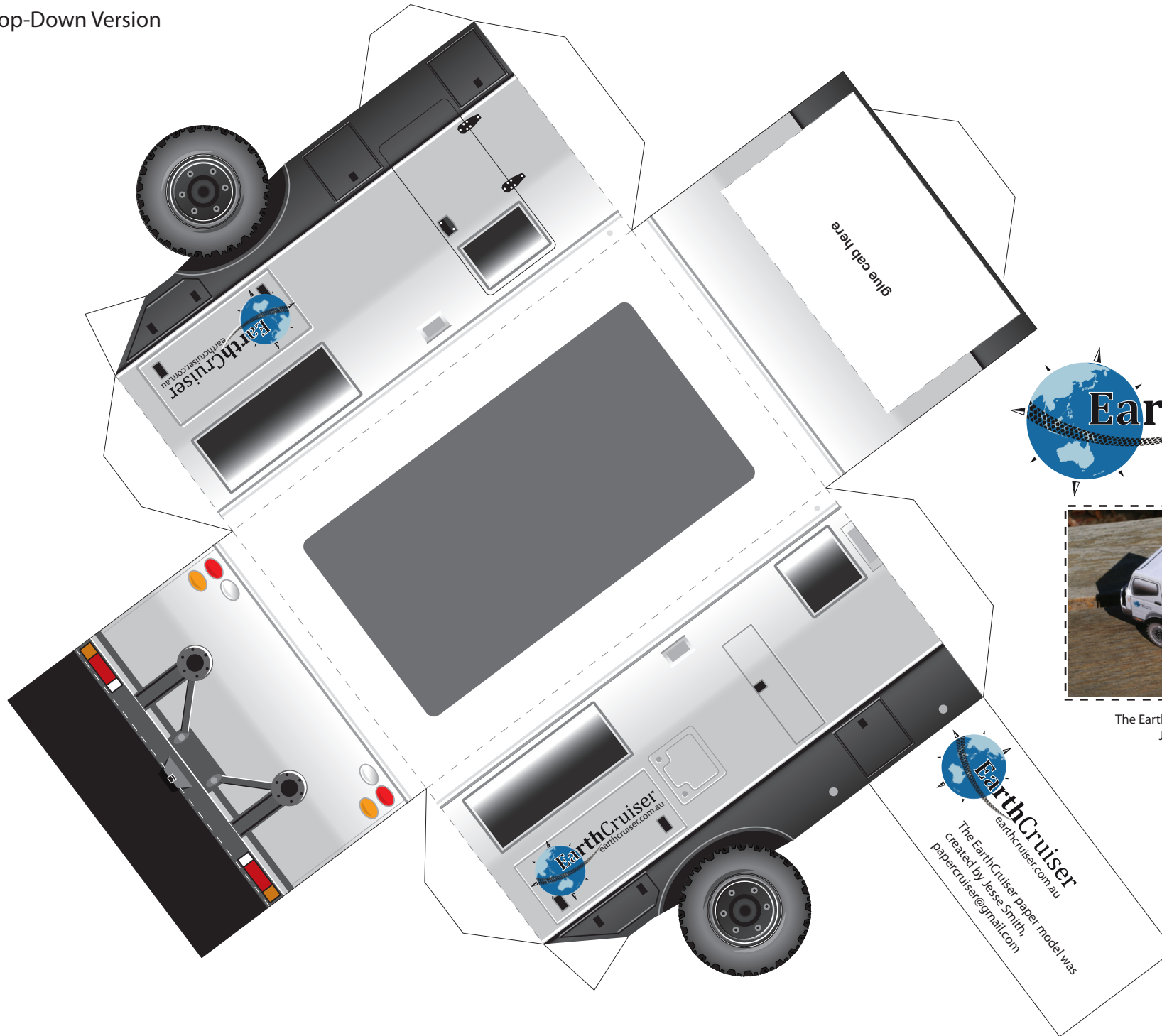
INSTRUCTIONS

- Print onto heavy card-stock 8x10 paper
- Cut using scissors or hobby knife and straight-edge
- Score the folds on the dotted lines
- Pre-fold all tabs & pre "bend" the rounded areas
- Working back-to-front, use white glue: spread thinly, then pinch and hold until it sticks.

The EarthCruiser paper model was created by Jesse Smith.
Email: papercruiser@gmail.com



Top-Down Version



The EarthCruiser paper model was created by
Jesse Smith, papercruiser@gmail.com

 **EarthCruiser**
earthcruiser.com.au
The EarthCruiser paper model was
created by Jesse Smith.
papercruiser@gmail.com